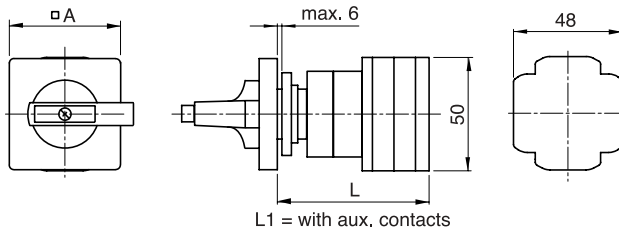


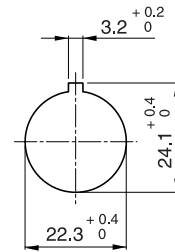
KC and KG Main / Emergency-Off Switches

Front Panel Mounting - Single Hole Fixing

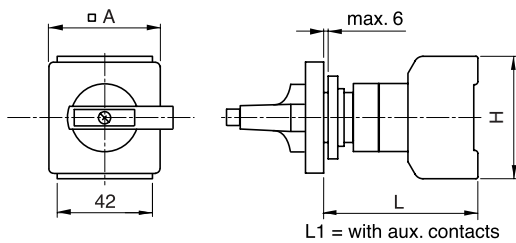
KG10 - 2 & 3 Pole



Mounting Hole



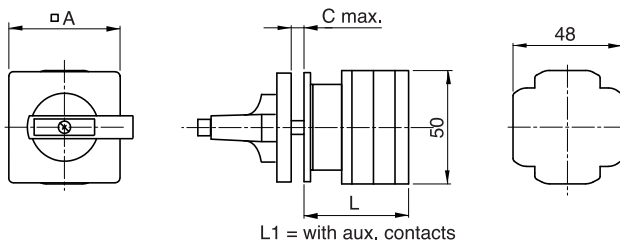
KC16 to 32, KG20 & KG32 - 3 Pole



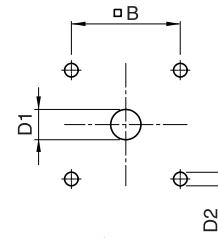
	A	H 3 Pole	L 2 Pole	L 3 Pole	L1 3 Pole
KC16 to KC32	48	65	-	66.9	-
KG10A	48	-	57.4	66.9	76.4
KG10B	64	-	-	73.9	83.4
KG20A, KG32A	48	54	-	68.3	77.3
KG20B, KG32B	64	54	-	68.3	77.3

Front Panel Mounting - 4 Hole Fixing

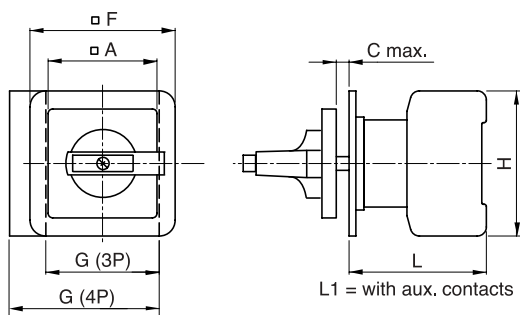
KG10 - 2, 3 & 4 Pole



Mounting Holes

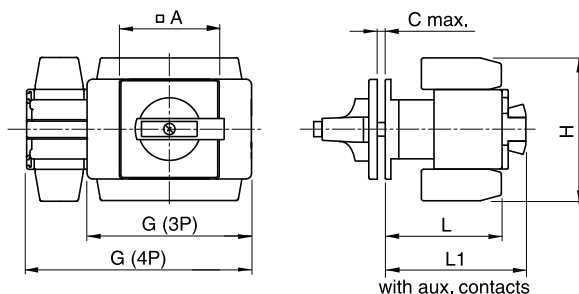


KG20 to KG105 - 3 & 4 Pole



	A	B	C	D1	D2	F
KG10A	48	36	4	11 - 15	5	-
KG10B	64	48	4	11 - 15	5	64
KG20A, KG32A	48	36	4	10 - 15	5	48
KG20B, KG32B	64	48	4	10 - 15	5	64
KG41B, KG64B	64	48	4	10 - 15	5	64
KG80, KG100, KG105	64	48	4	10 - 15	5	88
KG125, KG160	88	68	5.5	13 - 17	6	-
KG210, KG250, KG315	88	68	5.5	13 - 17	6	-

KG125 to KG315 - 3 & 4 Pole



	G 3 Pole	G 4 Pole	H	L	L1
KG10A - 2 pole	-	-	-	38.7	-
KG10A - 3/4 pole	-	-	-	48.2	58.7
KG10B	-	-	-	57.2	66.7
KG20A, KG32A	42	55.5	54	53.8	62.8
KG20B, KG32B	42	55.5	54	53.8	62.8
KG41B, KG64B	50	66	64	60.5	70.5
KG80, KG100	70	92	80	70.6	80.6
KG105	70	92	80	70.6	80.6
KG125, KG160	112	150	108	96	117
KG210, KG250, KG315	145	197.5	126	103	124

'H' dimension does not include the terminal covers. To obtain the dimension across the terminal cover(s) add the following to dimension 'H'.

- KG80/100/105: add 26 mm on side that cover is fitted.
- KG125/160: add 22.5 mm on side that cover is fitted
- KG210/250/315: add 50 mm to 'H' dimension

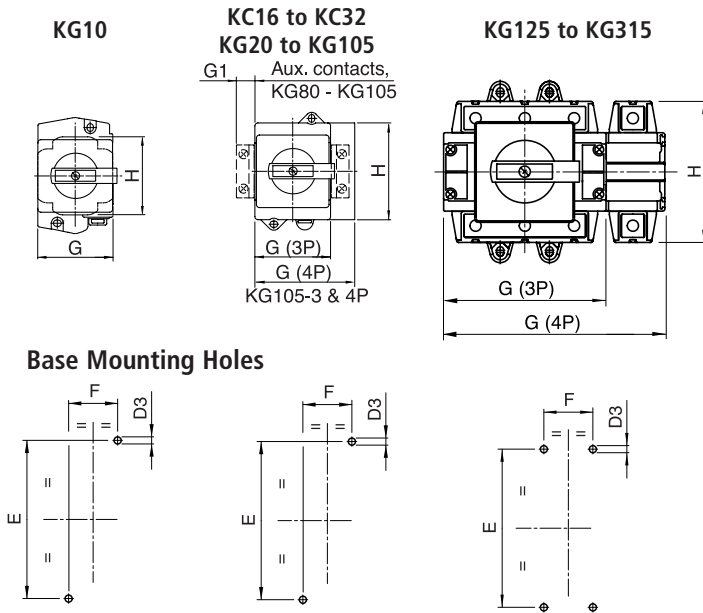
Factory fitted auxiliary contacts are integral with the main switch body – they are not side mounting type.

# DIMENSIONS MM

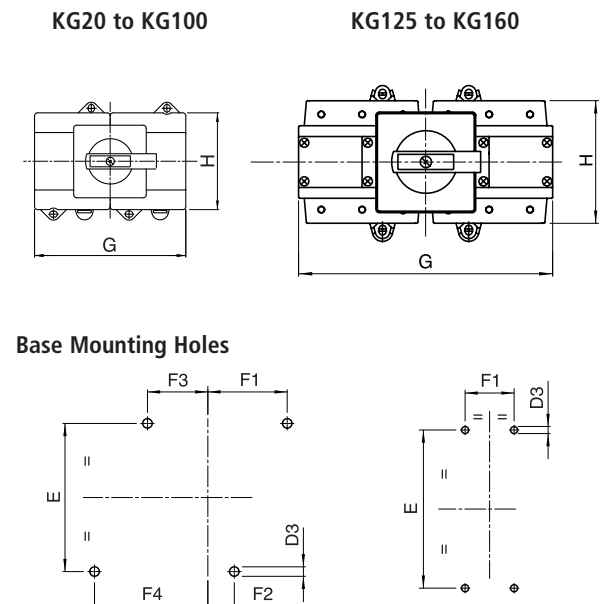
## KC and KG Main / Emergency-Off Switches

### Base Mounting with Door Interlock

#### 3, 3 + N & 4 Pole - plan view



#### 6 Pole - plan view



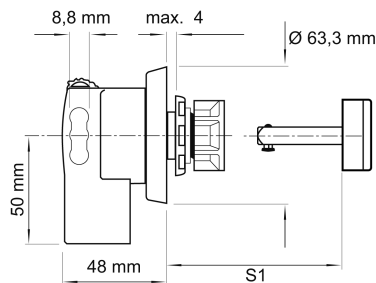
	D3	E	F	F1	F2	F3	F4	G 3 Pole	G 3 Pole+N	G 4 Pole	G 6 Pole	G1	H
KC16 to KC32	5	60	22	-	-	-	-	42	-	-	-	-	65
KG10A & B	5	60	22	-	-	-	-	48	-	48	-	-	50
KG20A & B, KG32A & B	5	60	22	32	10	10	32	42	-	55.5	84	-	54
KG41B, KG64B	5	70	25	37.5	12.5	12.5	37.5	50	-	66	100	-	64
KG80, KG100	6	90	25	47.5	22.5	22.5	47.5	70	92	92	140	12.2	80
KG105	6	90	25	-	-	-	-	70	92	92	-	12.2	80
KG125, KG160	6.4	120	36	76	-	-	-	112	-	150	224	-	108
KG210, KG250, KG315	6.4	142	44	-	-	-	-	145	-	187.5	-	-	126

'H' dimension does not include the terminal covers. To obtain the dimension across the terminal cover(s) add the following to dimension 'H'.

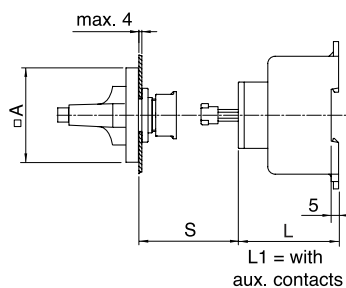
- KG80/100/105: add 26 mm on side that cover is fitted.
- KG125/160: add 22.5 mm on side that cover is fitted
- KG210/250/315: add 50 mm to 'H' dimension

Factory fitted auxiliary contacts are integral with the main switch body – they are not side mounting type.

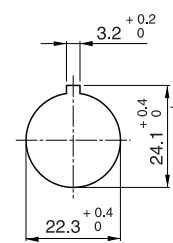
#### Defeatable Door Interlock, Single Hole Fixing. 3 & 4 Pole Switches



#### Door Interlock, Single Hole Fixing. 3, 3+N, 4 & 6 Pole KC16 to 32 & KG10 to KG105



#### Handle Mounting Hole



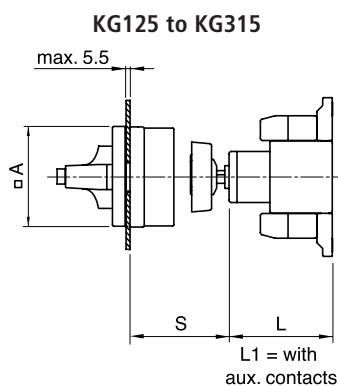
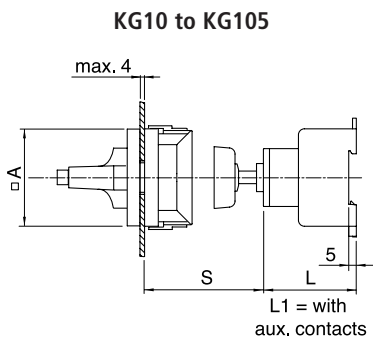
	A 3/4 Pole	L 3/4 Pole	L1 3/4 Pole	S	S1 3/4 pole	L 6 Pole	L1 6 Pole	S 6 Pole
KC16 to KC32	48	50	-	31-196	-	-	-	-
KG10A	48	49.2	58.7	31-191	-	-	-	-
KG20A, KG32A	48	50	59	31-196	-	-	-	-
KG20B, KG32B	64	-	-	-	-	57.5	66.5	31-199
KG41B, KG64B	64	61	71	31-192	31-163mm	67	77	31-193
KG80, KG100, KG105	64	68	78	32-189	32-163mm	79.2	89.2	32-189
KG125, KG160	-	-	-	-	34-263mm	-	-	-

Dimensions for KG100 & KG105 with 3 poles + solid neutral are the same as for 4 pole switch.

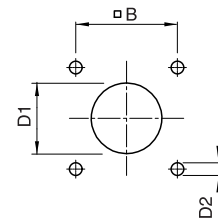
KG Main / Emergency-Off Switches

Base Mounting with Door Interlock, Continued.

Door Interlock, 4 Hole Fixing. 3, 4 & 6 Pole Switches - side view.

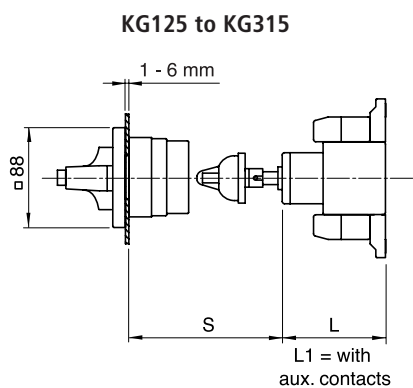
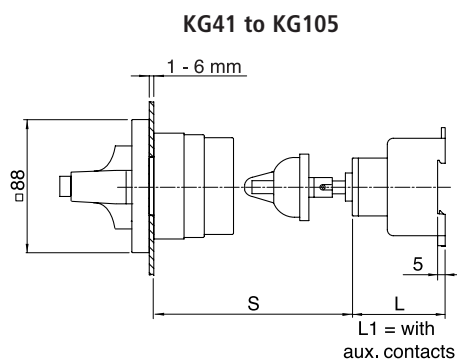


Handle Mounting Holes

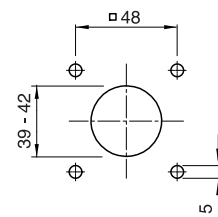


	Shaft Length	A	B	D1	D2	L 3/4 Pole	L1 3/4 Pole	S 3/4 Pole	L 6 Pole	L1 6 Pole	S 6 Pole
KG10A	200	48	36	18-22	5	49.2	58.7	37-197	-	-	-
KG10B	120	64	48	19-22	5	56.2	65.7	38-117	-	-	-
KG20A, KG32A	200	48	36	18-22	5	50	59	37-202	-	-	-
KG20B, KG32B	120	64	48	19-22	5	50	59	37-122	57.5	66.5	37-125
	200										37-205
KG41B, KG64B	130	64	48	19-22	5	61	71	35-130	67	77	35-131
	200							35-200			35-201
KG80, KG100, KG105	130	64	48	19-22	5	68	78	36-127	79.2	89.2	36-127
	200							36-197			36-197
KG125, KG160	300	88	68	26-30	6	91	91	45-306	93	93	45-306
KG210, KG250, KG315	300	88	68	26-30	6	98	98	45-306	-	-	-

Defeatable Door Interlock, 4 Hole Fixing. 3, 4 & 6 Pole Switches - side view.



Handle Mounting Holes



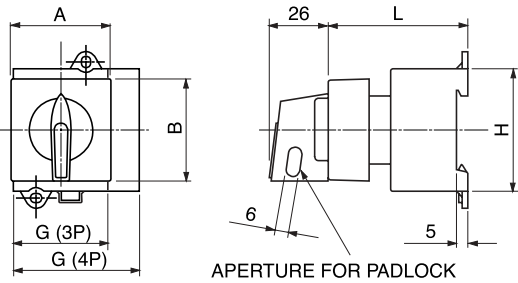
	L 3/4 Pole	L1 3/4 Pole	S 3/4 Pole	L 6 Pole	L1 6 Pole	S 6 Pole
KG41B, KG64B	61	71	72-224	67	77	72-225
KG80, KG100, KG105	68	78	73-221	79.2	89.2	73-221
KG125, KG160	91	91	83-336	93	93	83-336
KG210, KG250, KG315	98	98	83-336	-	-	-

# DIMENSIONS MM

## KG Main Switches

### Base Mounting - For 45 mm Installation Cut-Out

KG20 to 100 3 & 4 Pole



Mounting Holes

	A	B	D3	E	F
KG20A, KG32A	43.7	45.4	5	60	22
KG41B, KG64B	52.4	45.4	5	70	25
KG80, KG100	70	45	6	90	25

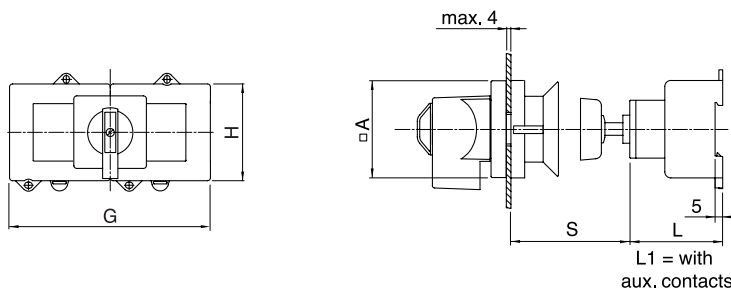
  

	G 3 Pole	G 4 Pole	H	L
KG20A, KG32A	42	55.5	54	61.5
KG41B, KG64B	50	66	64	61.5
KG80, KG100	70	92	80	70

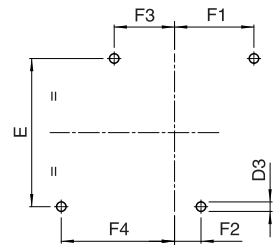
## KG Changeover Switches

### Base Mounting with Door Interlock, 4 Hole Fixing

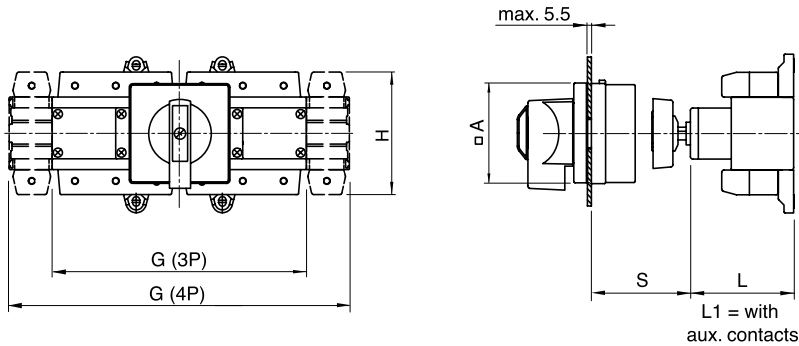
KG20 to KG100 - 3 & 4 Pole



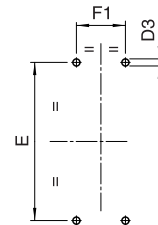
Base Mounting Holes



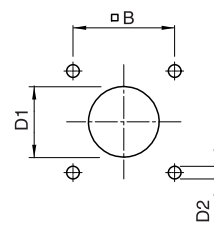
KG125 to KG160 - 3 & 4 Pole



Base Mounting Holes



Handle Mounting Holes



	A	B	D1	D2	D3	E	F1	F2	F3 3 Pole
KG20B, KG32B	64	48	19 - 22	5	5	60	32	10	10
KG41B, KG64B	64	48	19 - 22	5	5	70	37.5	12.5	12.5
KG80, KG100	88	48	19 - 22	5	6	90	47.5	22.5	22.5
KG105	88	48	19 - 22	5	6	90	47.5	22.5	-
KG125, KG160	88	68	26 - 30	6	6.4	120	76	-	-

	F4 3 Pole	F3 4 Pole	F4 4 Pole	G 3 Pole	G 4 Pole	H	L	L1	S
KG20B, KG32B	32	23.5	45.5	84	111	54	57.5	66.5	37-125
KG41B, KG64B	37.5	28.5	53.5	100	132	64	67	77	35-131
KG80, KG100	47.5	44.5	69.5	140	184	80	79.2	89.2	36-127
KG105	-	44.5	69.5	-	184	80	79.2	89.2	36-127
KG125, KG160	-	-	-	224	300	108	93	93	45-196

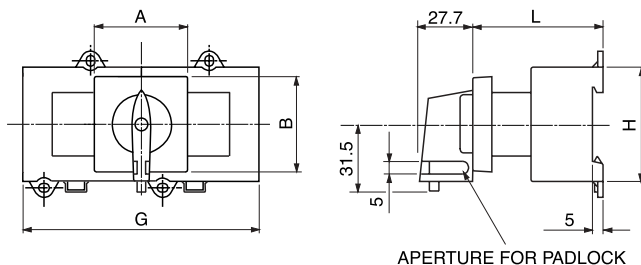
Factory fitted auxiliary contacts are integral with the main switch body – they are not side mounting type.

# DIMENSIONS MM

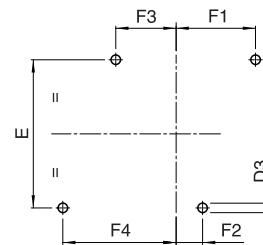
## KG Changeover Switches

### Base Mounting - For 45 mm Installation Cut - Out

KG41 to KG105 - 4 Pole



Mounting Holes

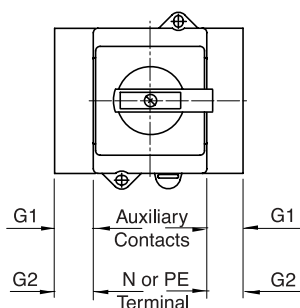


APERTURE FOR PADLOCK

	A	B	D3	E	F1	F2	F3	F4	G	H	L
KG41B, KG64B	52.4	45.4	5	70	37.5	12.5	28.5	53.5	132	64	67.5
KG80, KG100, KG10570	70	45	6	90	47.5	22.5	44.5	69.5	184	80	81.2

## KG Switch Options

### Side Mounting Modules.



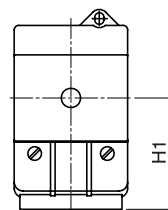
	G1	G2
KG20A & B, KG32A & B	10	13.5
KG41B, KG64B	11	16
KG80, KG100, KG105	11	22
KG125, KG160	14	38
KG210, KG250, KG315	14	52.5

**Note:**

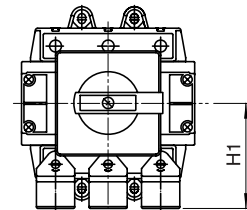
KG125 to KG315 4 pole switches cannot have additional modules fitted on the side adjacent to the 4th pole (switched neutral).

### Terminal Covers.

KG10 to KG105



KG125 to KG315

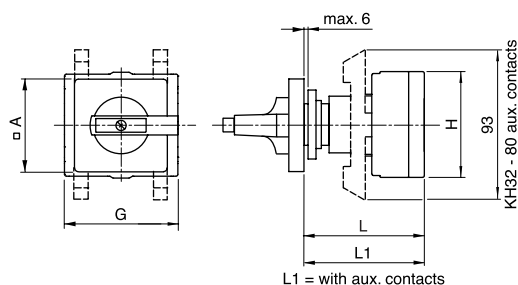


	H1
KG10A & B	32
KG20A & B, KG32A & B	47
KG41B, KG64B	49
KG80, KG100, KG105	66
KG125, KG160	76.2
KG210, KG250, KG315	88

## KH Main/Emergency-Off Switches

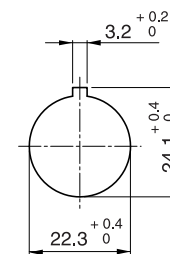
### Front Panel Mounting - Single Hole Fixing

KH16 to KH80 - 3 Pole+N & 4 Pole



L1 = with aux. contacts

Mounting Hole Details



	A	G	H	L	L1
KH16, KH20, KH25	48	60	56	63.5	72.5
KH32, KH40	64	70	62	68.7	68.7
KH63, KH80	64	86	90	77.1	77.1

'H' dimension for KH63/80 does not include the terminal cover. To obtain the dimension across the terminal cover(s) add 23.5 mm on side that cover is fitted.

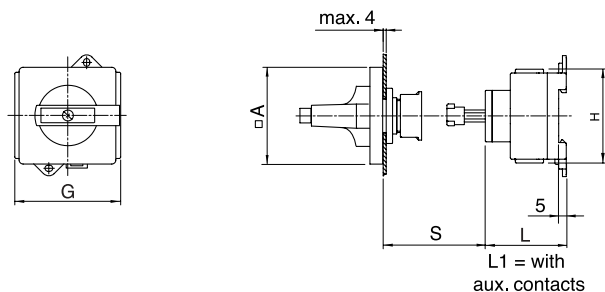
Factory fitted auxiliary contacts are integral with the main switch body – they are not side mounting type.

# DIMENSIONS MM

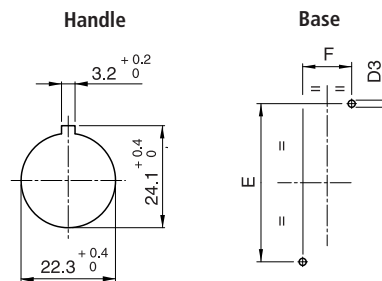
## KH Main/Emergency-Off Switches

### Base Mounting With Door Interlock, Single Hole Fixing

KH16 to KH80 - 3 Pole+N & 4 Pole



Mounting Holes



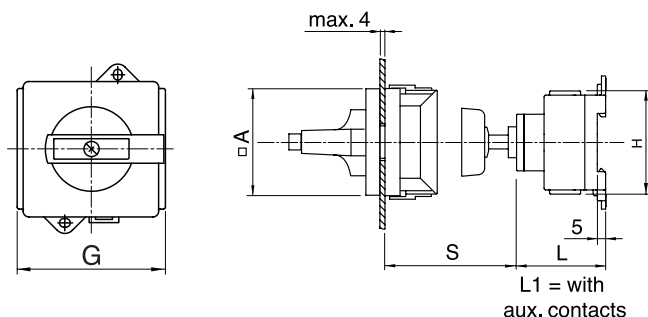
'H' dimension for KH63/80 does not include the terminal cover. To obtain the dimension across the terminal cover(s) add 23.5 mm on side that cover is fitted.

Factory fitted auxiliary contacts are integral with the main switch body – they are not side mounting type.

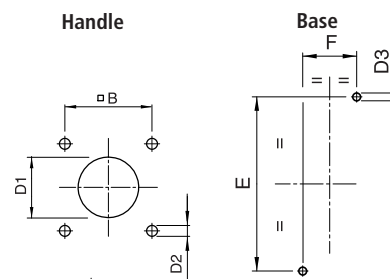
	A	D3	E	F	G	H	L	L1	S
KH16, KH20, KH25	48	5	60	22	60	56	47	56	31-196
KH32, KH40	64	5	70	25	70	62	53.5	53.5	35-194
KH63, KH80	64	6	90	25	86	90	59.5	59.5	35-194

### Base Mounting With Door Interlock, 4 Hole Fixing

KH16 to KH80 - 3 Pole + N & 4 Pole



Mounting Holes



'H' dimension for KH63/80 does not include the terminal cover. To obtain the dimension across the terminal cover(s) add 23.5 mm on side that cover is fitted.

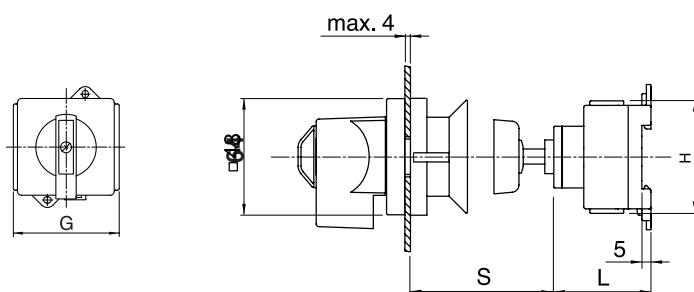
Factory fitted auxiliary contacts are integral with the main switch body – they are not side mounting type.

	A	B	D1	D2	D3	E	F	G	H	L	L1	S
KH16, KH20, KH25	48	36	18-22	5	5	60	22	60	56	47	56	37-202
KH32, KH40	64	48	19-22	5	5	70	25	70	62	53.5	53.5	39-202
KH63, KH80	64	48	19-22	5	6	90	25	86	90	59.5	59.5	39-202

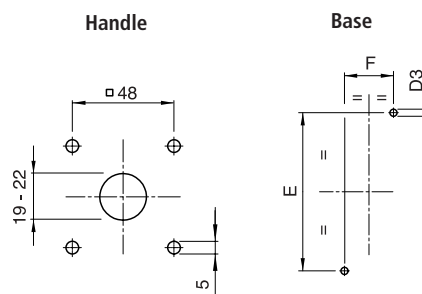
## KH Changeover Switches

### Base Mounting With Door Interlock, 4 Hole Fixing

KH16 to KH85 - 2 Pole



Mounting Holes



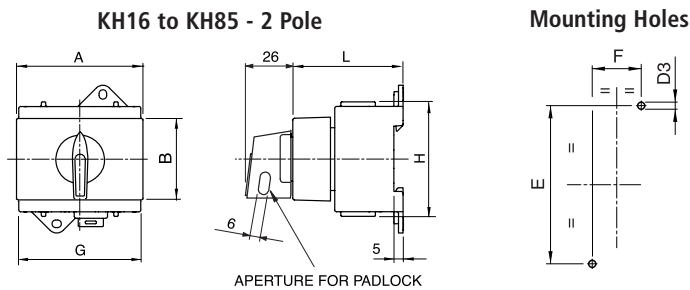
'H' dimension for KH63/80 does not include the terminal cover. To obtain the dimension across the terminal cover(s) add 23.5 mm on side that cover is fitted.

	D3	E	F	G	H	L	S
KH16, KH20, KH25	5	60	22	60	56	47	37-122
KH32, KH40	5	70	25	70	62	53.5	39-132
KH63, KH80, KH85	6	90	25	86	90	59.5	39-132

# DIMENSIONS MM

## KH Changeover Switches

### Base Mounting - For 45 mm Installation Cut-Out



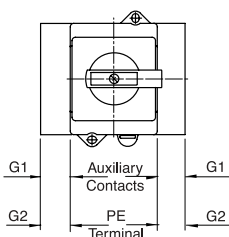
	A	B	D3	E
KH16, KH20, KH25	43.7	45.4	5	60
KH32, KH40	70.4	45.4	5	70
KH63, KH80, KH85	70.4	45.4	6	90

	F	G	H	L
KH16, KH20, KH25	22	60	56	58.5
KH32, KH40	25	70	62	59.7
KH63, KH80, KH85	25	86	90	66.7

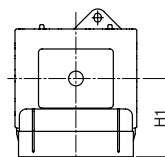
## KH Switch Options

### Side Mounting Modules



	G1	G2
KH16, KH20, KH25	10	13.5
KH32, KH40	10	13.5
KH63, KH80, KH85	10	20

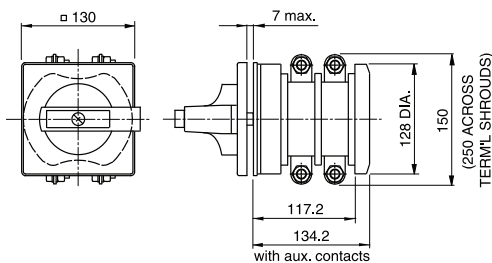
### Terminal Covers.



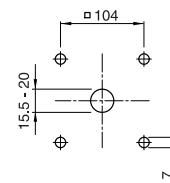
	H1
KH32, KH40	45
KH63, KH80, KH85	68.5

## C & CA Main/Emergency - Off Switches

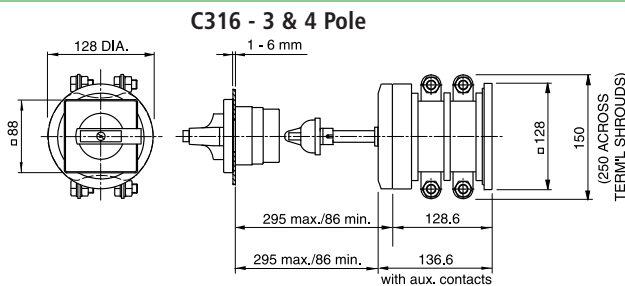
### Front Panel Mounting - 4 Hole Fixing



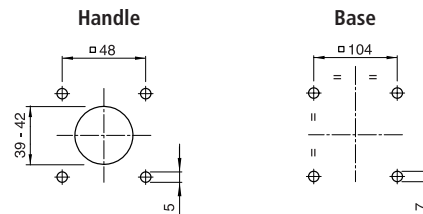
### Mounting Holes



### Base Mounting, With Defeatable Door Interlock - 4 Hole Fixing



### Mounting Holes



### Main/Emergency - Off Switch with Power Failure Release - 4 pole

